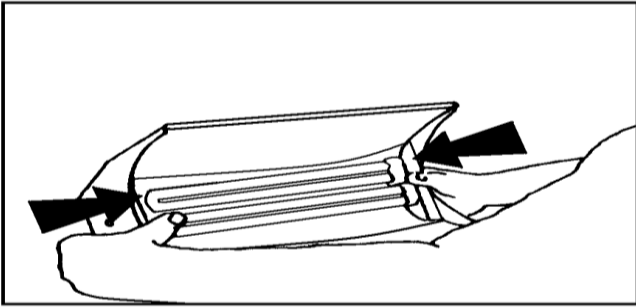
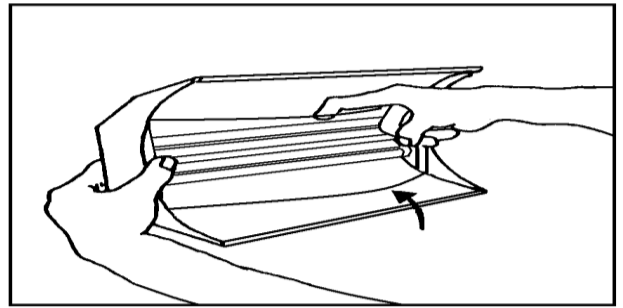


Instructions for Tube Replacement

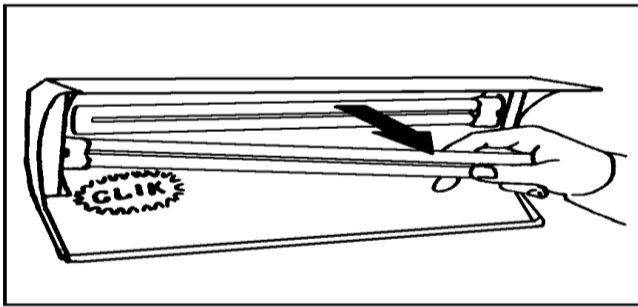
[1] Deflect filter outwardly by pushing opposite edges towards each other.



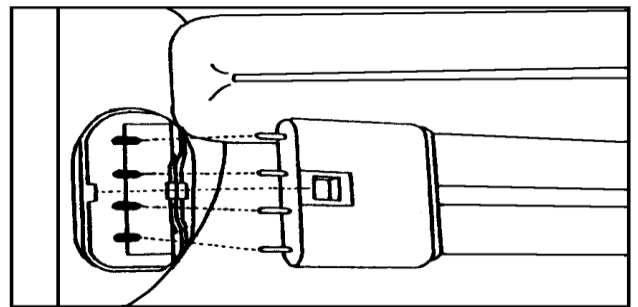
[2] Pull the center of the filter out.



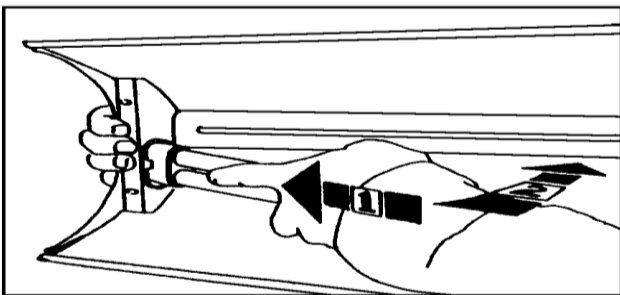
[3] Pull the end of the bulb out.



[4] Align bulb pins with holes in socket.



[5] Force tube into socket (1) and tip inward (2).



[6] Bulb should “CLIK” into place.

